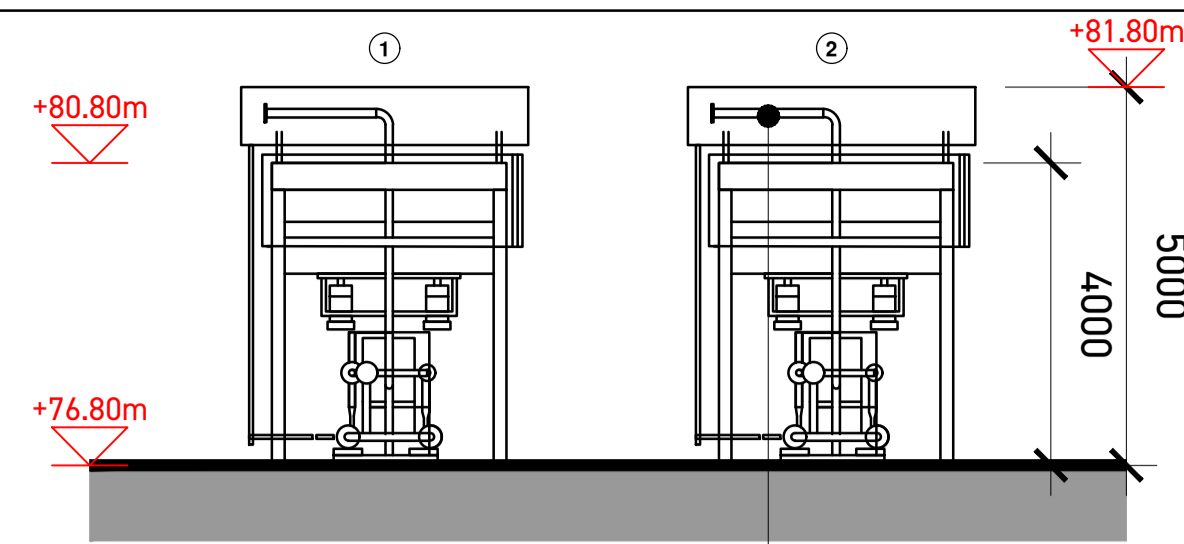
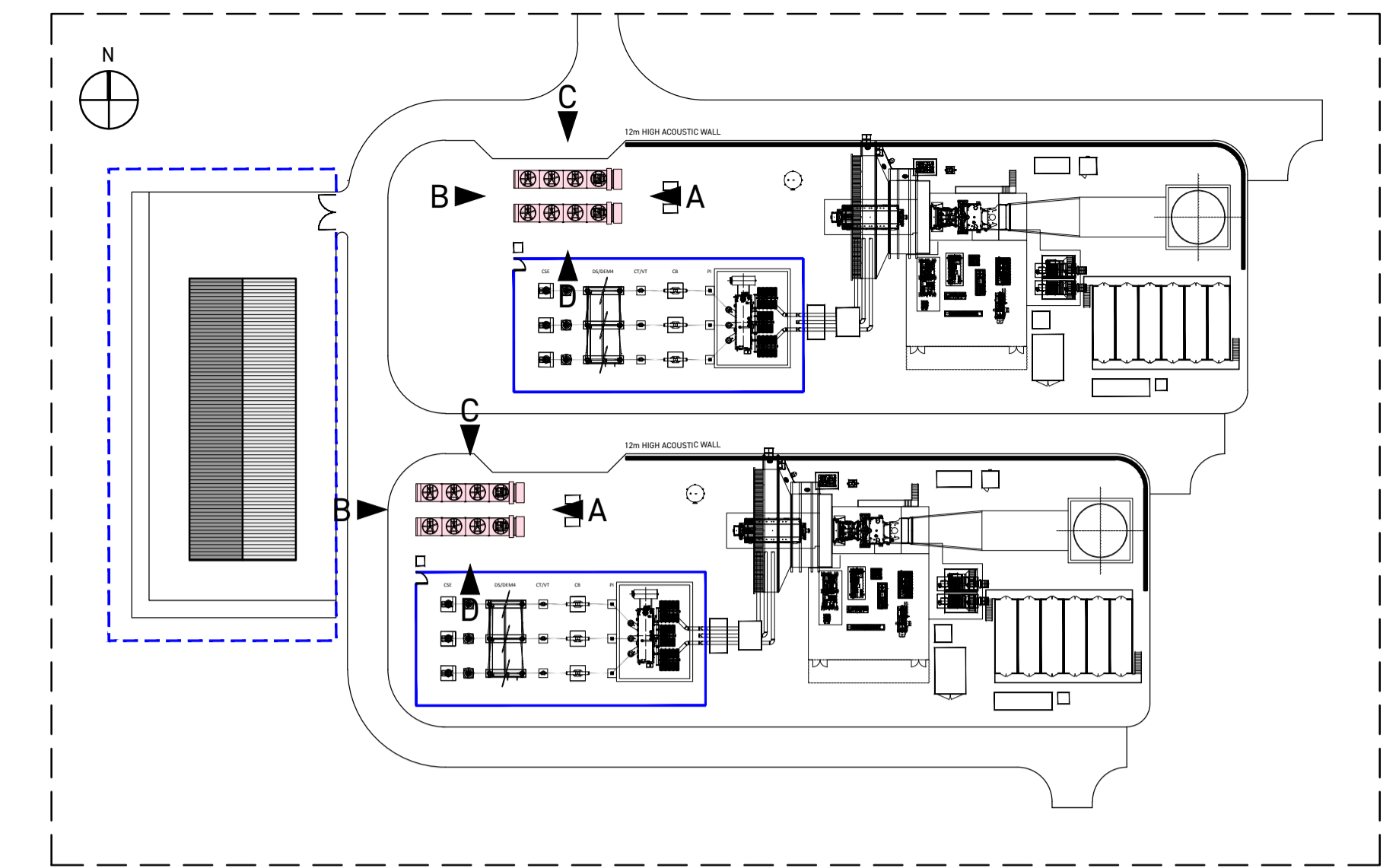


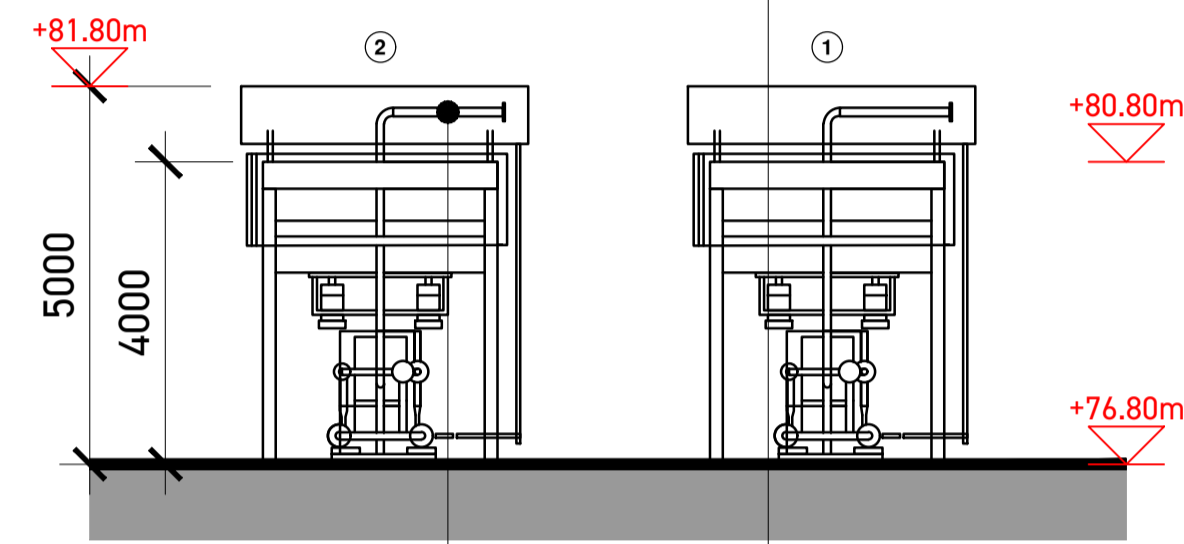
SECTION A-A 1:100



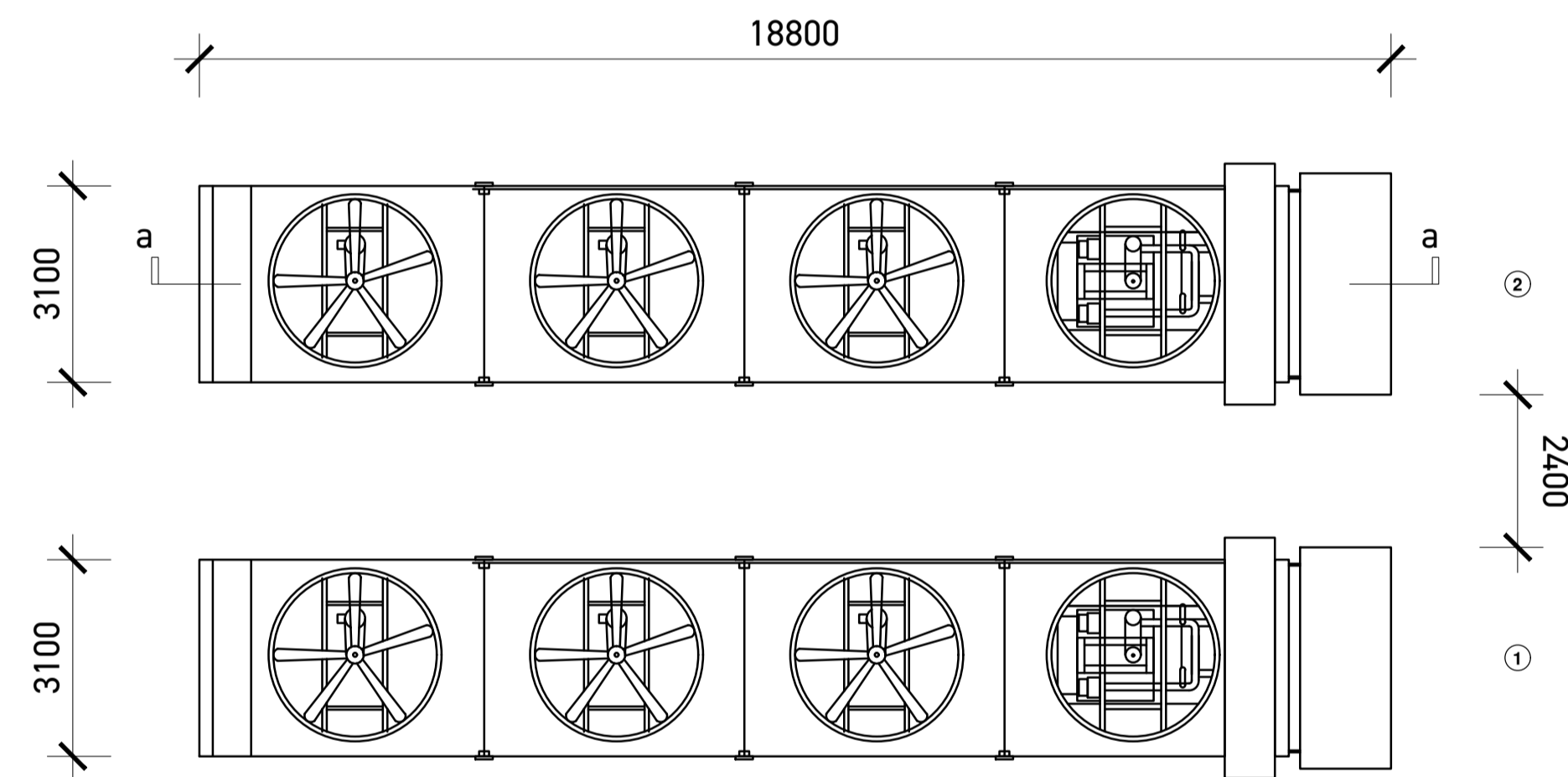
ELEVATION A TO EAST



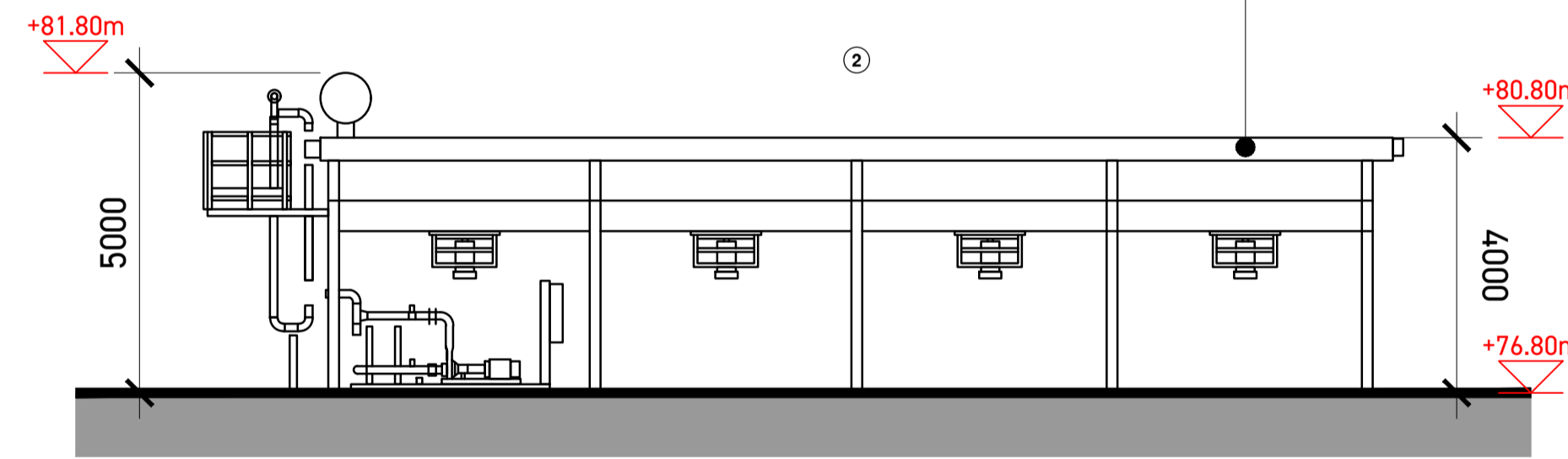
KEY PLAN (NTS)



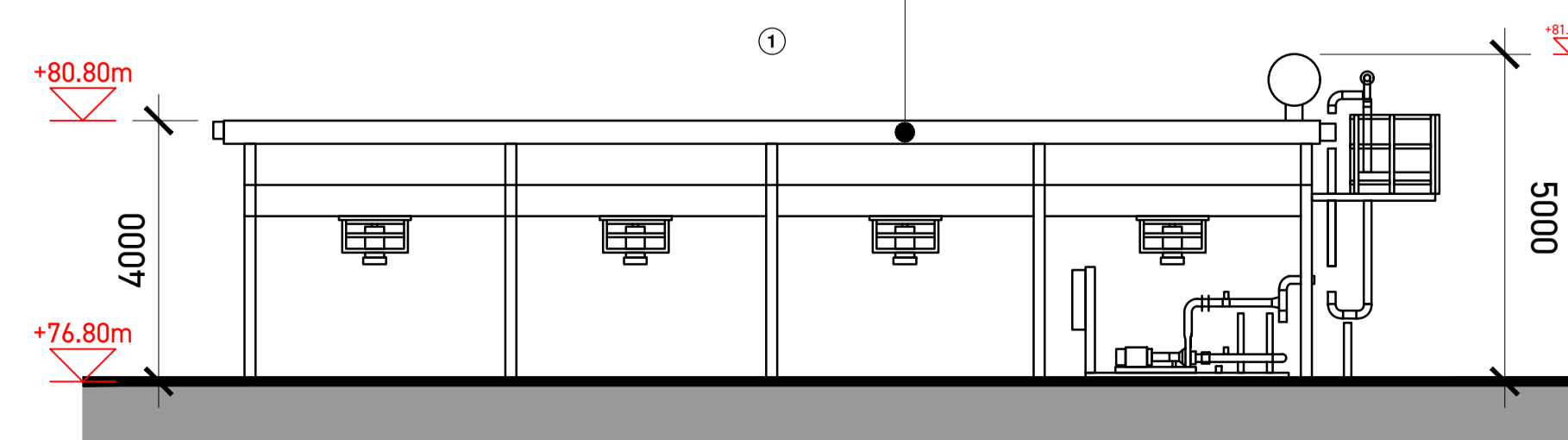
ELEVATION B TO WEST



PLAN GROSS FLOOR AREA - 1195QM



ELEVATION C TO NORTH



ELEVATION D TO SOUTH

GALVANISED STAINLESS STEEL (GREY)

Rev	Description	Date
<b>PLANNING</b>		
Client Kilshane Energy Ltd		
Project POWER STATION Kilshane, Dublin 11		
Date	December 2025	
Scale	1:100 @ A1	
Drawing FIN FAN COOLERS PLAN, SECTION & ELEVATIONS		
Job Nr	Drawing Nr	Rev
165	PL.E.01	

**mc** McATAVEY ARCHITECTS